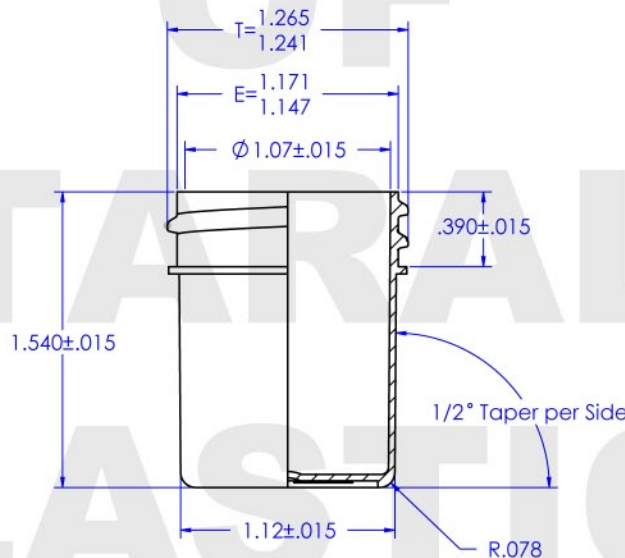


**WARNING: PROPRIETARY AND CONFIDENTIAL**

THE INFORMATION CONTAINED IN THIS DRAWING IS THE SOLE PROPERTY OF TARAL PLASTICS. ANY UNAUTHORIZED USE, TRANSMISSION, OR REPRODUCTION IN PART OR AS A WHOLE WITHOUT THE WRITTEN PERMISSION OF TARAL PLASTICS IS STRICTLY PROHIBITED.



PROPERTY



**DECORATION AREA**  
 WRAP: 3.3 inch  
 HEIGHT: 0.73 inch  
 DRAFT: 1/2° per Side

TOLERANCE		REV.	DATE	DESCRIPTION
DIM.	TOL.			
.00	.015			
.000	.010			

NAME	DATE
W. OTT	01/04/2012
DRAWN	
MATERIAL: PP	
APPROX WEIGHT: 3.9 grams	
APPROX OVERFLOW: 21 ml	
THREAD: "M" STYLE, 6 TPI PITCH	
COMMENTS:	

725 Zwissig Way  
 Union City, CA 94587  
 Phone: 866-93-TARAL  
 www.TaralPlastics.com

PART DESCRIPTION:		1/2oz 33mm-400	
SIZE: A	PART CODE: 1/2-33-PP	REV.:	-
SCALE: 1:1	DO NOT SCALE DRAWING	SHEET 1 OF 1	

