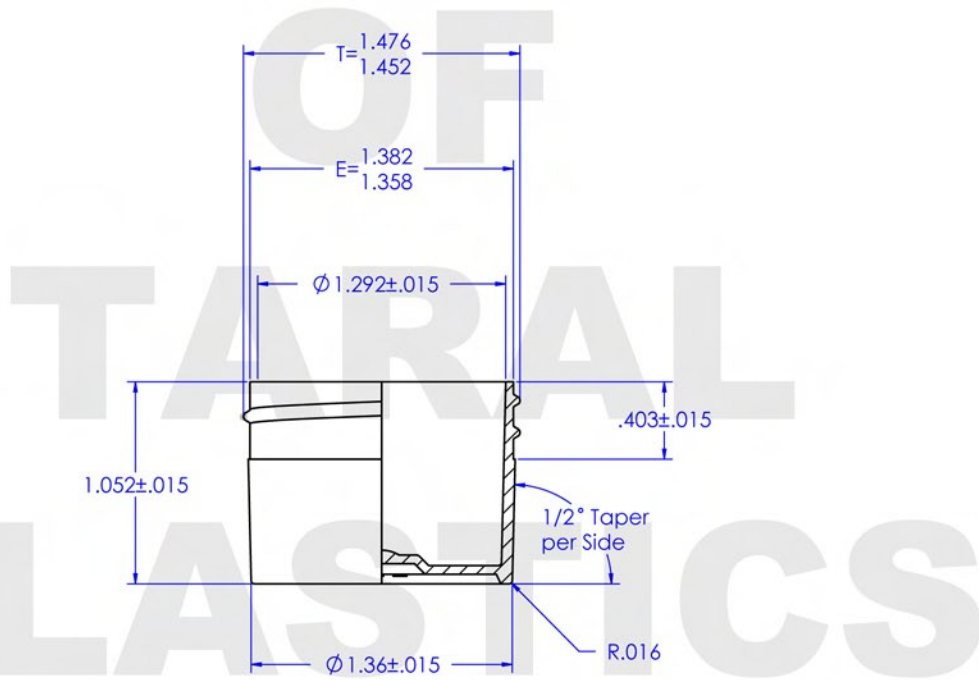


**WARNING: PROPRIETARY AND CONFIDENTIAL**

THE INFORMATION CONTAINED IN THIS DRAWING IS THE SOLE PROPERTY OF TARAL PLASTICS. ANY UNAUTHORIZED USE, TRANSMISSION, OR REPRODUCTION IN PART OR AS A WHOLE WITHOUT THE WRITTEN PERMISSION OF TARAL PLASTICS IS STRICTLY PROHIBITED.



PROPERTY



**DECORATION AREA**  
 WRAP: 4.0 inch  
 HEIGHT: 0.41 inch  
 DRAFT: 1/2° per Side

TOLERANCE		REVISIONS		
DIM.	TOL.	REV.	DATE	DESCRIPTION
.00	.015			
.000	.010			

DRAWN	NAME	DATE
W. OTT		11/10/2012
MATERIAL	PP	
APPROX WEIGHT:	4.7 grams	
APPROX OVERFLOW:	19.5 ml	
THREAD:	"L" STYLE, 6 TPI PITCH	
COMMENTS:		

725 Zwissig Way  
 Union City, CA 94587  
 Phone: 866-93-TARAL  
 www.TaralPlastics.com

PART DESCRIPTION:		
<b>1/2oz 38mm-400 Regular Wall Jar</b>		
SIZE	PART CODE	REV.
<b>A</b>	1/2-38-PP	-
SCALE: 1:1		DO NOT SCALE DRAWING
SHEET 1 OF 1		

