

WARNING: PROPRIETARY AND CONFIDENTIAL

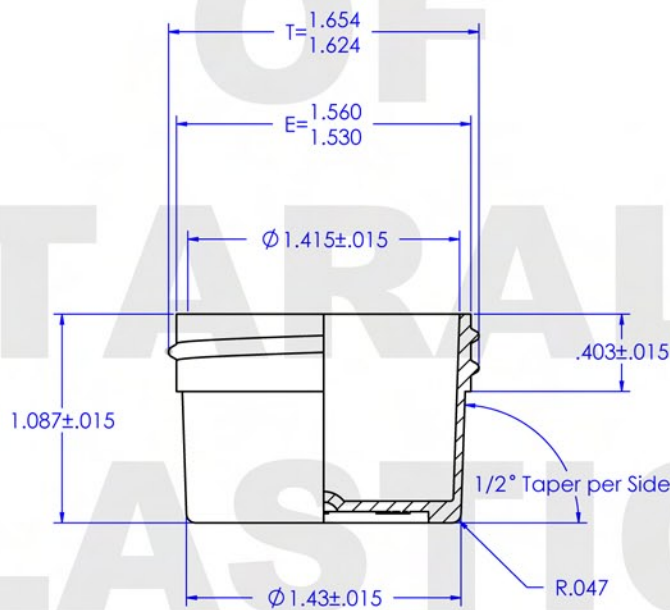
THE INFORMATION CONTAINED IN THIS DRAWING IS THE SOLE PROPERTY OF TARAL PLASTICS. ANY UNAUTHORIZED USE, TRANSMISSION, OR REPRODUCTION IN PART OR AS A WHOLE WITHOUT THE WRITTEN PERMISSION OF TARAL PLASTICS IS STRICTLY PROHIBITED.



PROPERTY

TARAL

PLASTICS



DECORATION AREA
 WRAP: 4.3 inch
 HEIGHT: 0.46 inch
 DRAFT: 1/2° per Side

| TOLERANCE | | REVISIONS | | |
|-----------|------|-----------|------|-------------|
| DIM. | TOL. | REV. | DATE | DESCRIPTION |
| .00 | .015 | | | |
| .000 | .010 | | | |

| | | | |
|------------------|------------------------|---|--|
| NAME | DATE | 725 Zwissig Way Union City, CA 94587 | Phone: 866-93-TARAL www.TaralPlastics.com |
| DRAWN | W. OTT | 11/09/2012 | PART DESCRIPTION: |
| MATERIAL | PP | | |
| APPROX WEIGHT: | 5.5 grams | | |
| APPROX OVERFLOW: | 23.5 ml | | |
| THREAD: | "L" STYLE, 6 TPI PITCH | | |
| COMMENTS: | | | |

1/2oz 43mm-400
Regular Wall Jar

SIZE **A** PART CODE 1/2-43-PP REV. -

SCALE: 1:1 DO NOT SCALE DRAWING SHEET 1 OF 1

