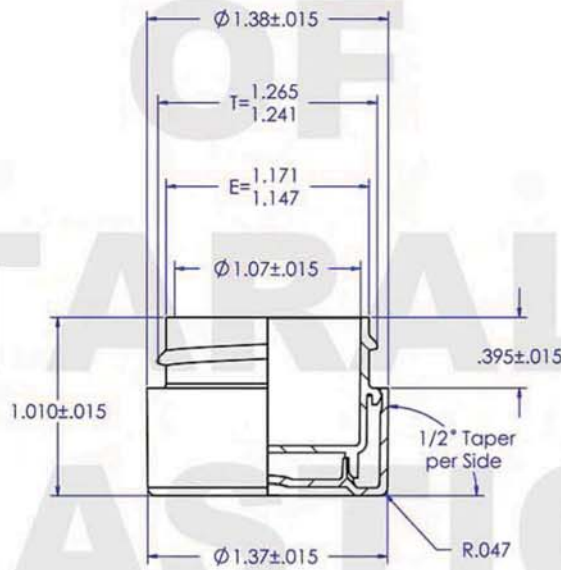


WARNING: PROPRIETARY AND CONFIDENTIAL

THE INFORMATION CONTAINED IN THIS DRAWING IS THE SOLE PROPERTY OF TARAL PLASTICS. ANY UNAUTHORIZED USE, TRANSMISSION, OR REPRODUCTION IN PART OR AS A WHOLE WITHOUT THE WRITTEN PERMISSION OF TARAL PLASTICS IS STRICTLY PROHIBITED.



PROPERTY OF TARAL PLASTICS



DECORATION AREA

WRAP: 4.06 inch

HEIGHT: 0.43 inch

DRAFT: $1/2^\circ$ per Side

TOLERANCE		REVISIONS		
DIM.	TOL.	REV.	DATE	DESCRIPTION
.00	.015	A	8/18/2013	New Molds were constructed
.000	.010	B	7/2/2014	Reduce deco area wrap to 4.06"

NAME	DATE	725 Zwissig Way Union City, CA 94587	Phone: 866-93-TARAL www.TaralPlastics.com
DRAWN	W. OTT	8/18/2013	PART DESCRIPTION:
MATERIAL	PP/PP		
APPROX WEIGHT:	4.8		
APPROX OVERFLOW:	10.2 ml		
THREAD:	"M" STYLE, 6 TPI PITCH		
COMMENTS:			
SIZE	PART CODE	REV	
A	1/4-33-DS-PP	B	
SCALE:1:1	DO NOT SCALE DRAWING	SHEET 1 OF 1	

