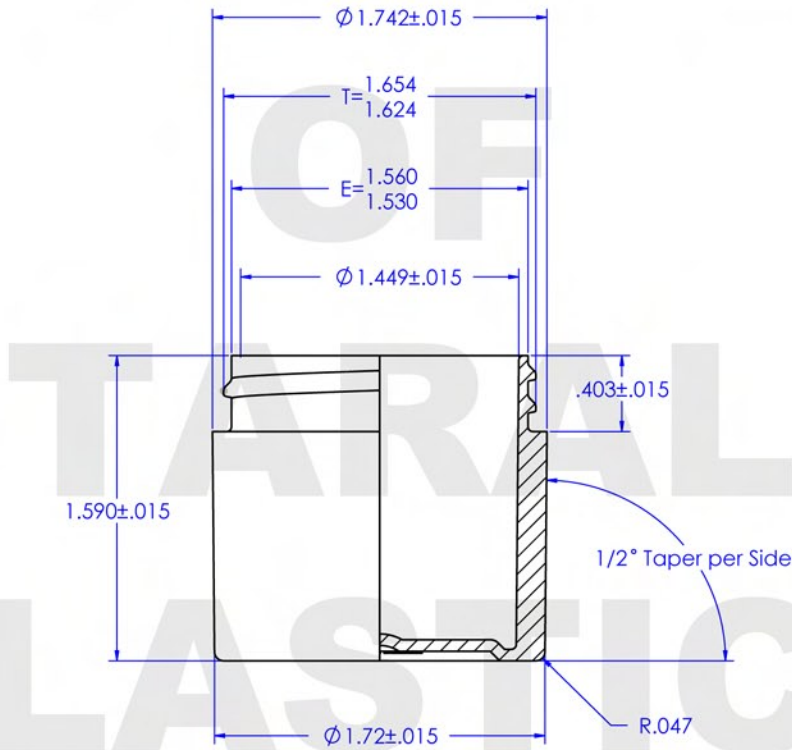


WARNING: PROPRIETARY AND CONFIDENTIAL

THE INFORMATION CONTAINED IN THIS DRAWING IS THE SOLE PROPERTY OF TARAL PLASTICS. ANY UNAUTHORIZED USE, TRANSMISSION, OR REPRODUCTION IN PART OR AS A WHOLE WITHOUT THE WRITTEN PERMISSION OF TARAL PLASTICS IS STRICTLY PROHIBITED.



PROPERTY



DECORATION AREA
 WRAP: 5.17 inch
 HEIGHT: 0.95 inch
 DRAFT: 1/2° per Side

TOLERANCE		REV.	DATE	DESCRIPTION
DIM.	TOL.			
.00	.015			
.000	.010			

NAME	DATE
W. OTT	07/03/2012
DRAWN	
MATERIAL: PP	
APPROX WEIGHT: 16.3 grams	
APPROX OVERFLOW: 35 ml	
THREAD: "M" STYLE, 6 TPI PITCH	
COMMENTS:	

725 Zwissig Way
 Union City, CA 94587
 Phone: 866-93-TARAL
 www.TaralPlastics.com

PART DESCRIPTION:		1 oz 43mm-400 Thick Wall PP Jar	REV.
SIZE: A	PART CODE: 1-43-TW-PP		-
SCALE: 1:1	DO NOT SCALE DRAWING		SHEET 1 OF 1

