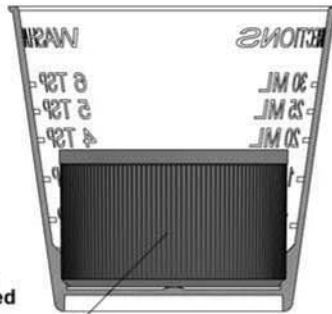


REVISION	DESCRIPTION	DATE	APPROVED
A	Added views with Caps to drawing	7/27/2012	W. OTT



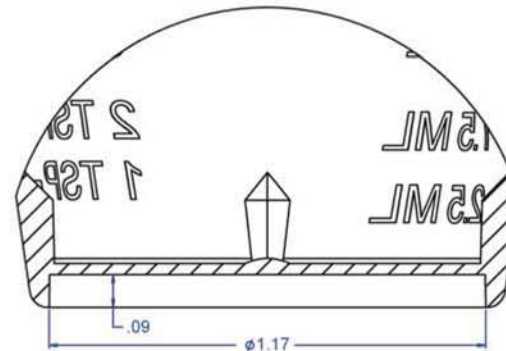
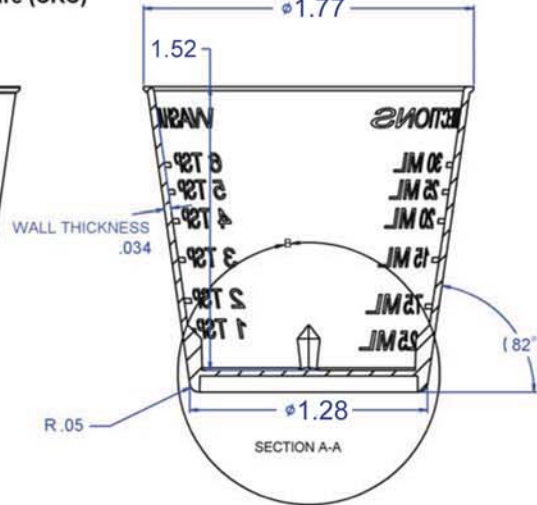
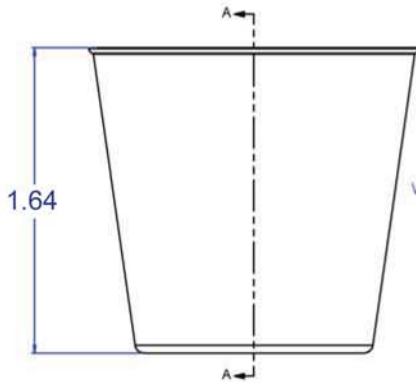
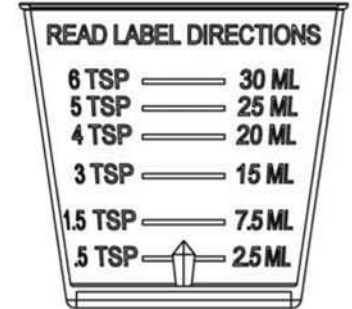
Snaps-On to top of a 28mm Ribbed Closures and Fits on top of 24mm Child Resistant Closure (CRC)



FRONT VIEW



REAR VIEW



PROPRIETARY AND CONFIDENTIAL
 THE INFORMATION CONTAINED IN THIS DRAWING IS THE SOLE PROPERTY OF TARAL PLASTICS. ANY REPRODUCTION IN PART OR AS A WHOLE WITHOUT THE WRITTEN PERMISSION OF TARAL PLASTICS IS PROHIBITED.

NOTES: NO BURR NO SHARP EDGE	UNLESS OTHERWISE SPECIFIED: DIMENSIONS ARE IN INCHES TOLERANCES: FRACTIONAL ± ANGULAR: ±1° TWO PLACE DECIMAL ±.01 THREE PLACE DECIMAL ±.005	DATE 01/19/2011	NAME W. OTT	TARAL PLASTICS 725 ZWISSIG WAY UNION CITY, CA 94587	
	MATERIAL PP	DRAWN CHECKED ENG APPR. MFG APPR.	Q.A.	TITLE: 30ml Dosage Cup	
	FINISH SPI-A3	APPROX. WEIGHT: 4.66 grams	CREATED BY OTT DESIGN, INC. <small>8300 Hawthorn Ct. • Auburn, CA • 95603 Tel: (916) 734-6668</small>	PART NUMBER 30ML-DOS-PP	REV A
	COLOR CLEAR	SCALE: 1.5:1	REFERENCED PART 30ml Dosage Cup	SIZE B	SHEET 1 OF 1