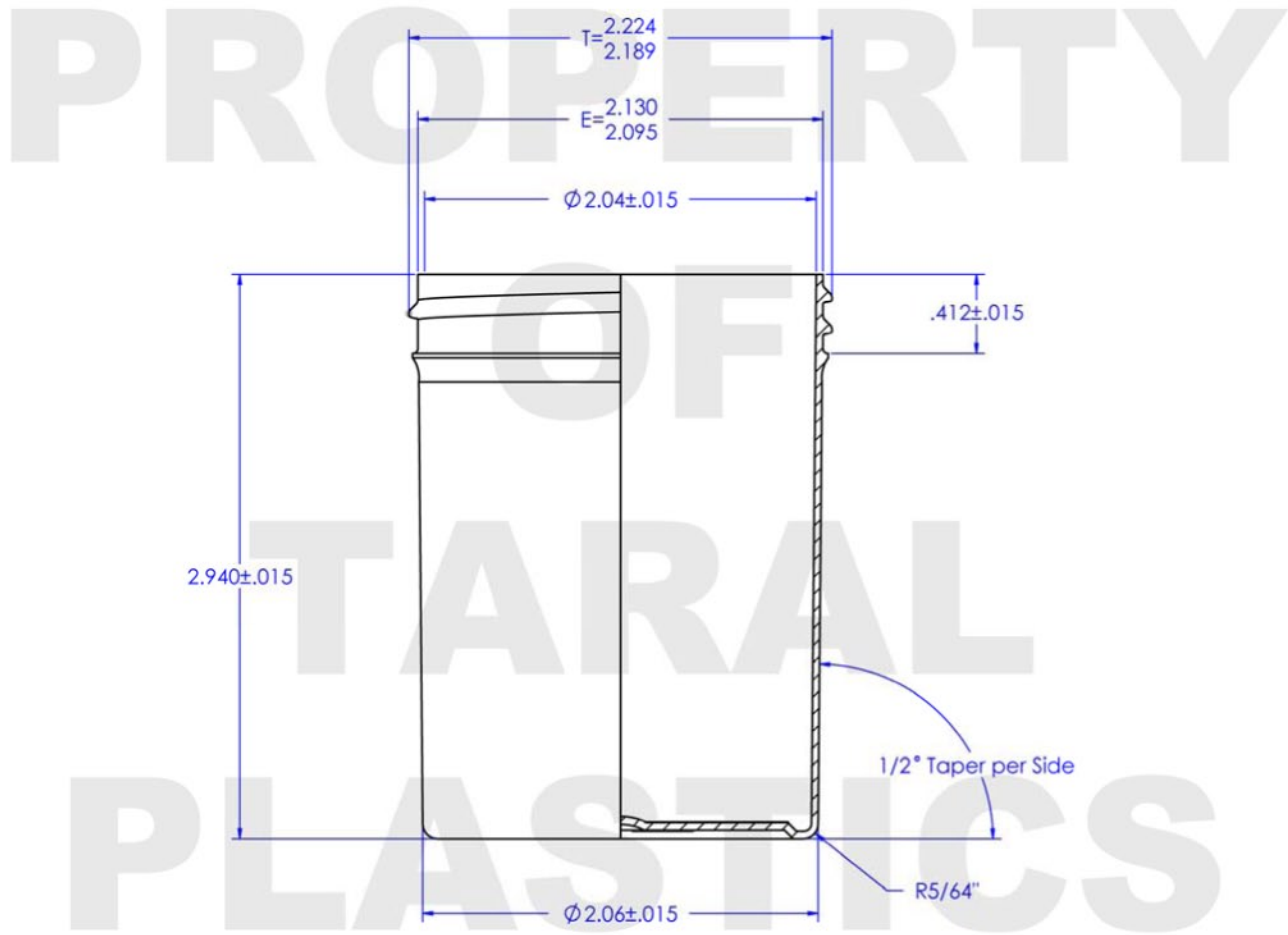


WARNING: PROPRIETARY AND CONFIDENTIAL

THE INFORMATION CONTAINED IN THIS DRAWING IS THE SOLE PROPERTY OF TARAL PLASTICS. ANY UNAUTHORIZED USE, TRANSMISSION, OR REPRODUCTION IN PART OR AS A WHOLE WITHOUT THE WRITTEN PERMISSION OF TARAL PLASTICS IS STRICTLY PROHIBITED.



DECORATION AREA
 WRAP: 6.375 inch
 HEIGHT: 2.000 inch
 DRAFT: 1/2° per Side

TOLERANCE		REVISIONS		
DIM.	TOL.	REV.	DATE	DESCRIPTION
.00	.015			
.000	.010			

DRAWN	NAME	DATE
	W. OTT	01/10/2012
MATERIAL	PP	
APPROX WEIGHT:	13.9 grams	
APPROX OVERFLOW:	149 ml	
THREAD:	"M" STYLE, 6 TPI PITCH	
COMMENTS:		

725 Zwissig Way
 Union City, CA 94587
 Phone: 866-93-TARAL
 www.TaralPlastics.com

PART DESCRIPTION:		
4.5oz 58mm-400 Jar		
SIZE	PART CODE	REV.
A	4.5-58-PP	-
SCALE: 1:1	DO NOT SCALE DRAWING	SHEET 1 OF 1

