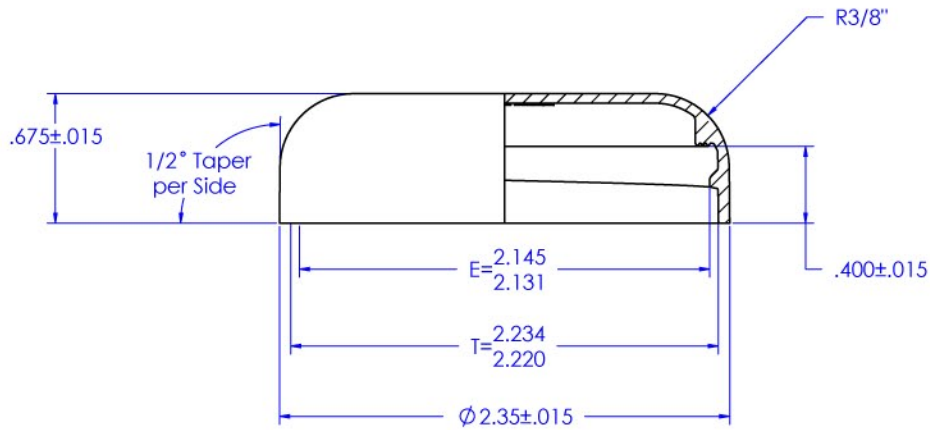
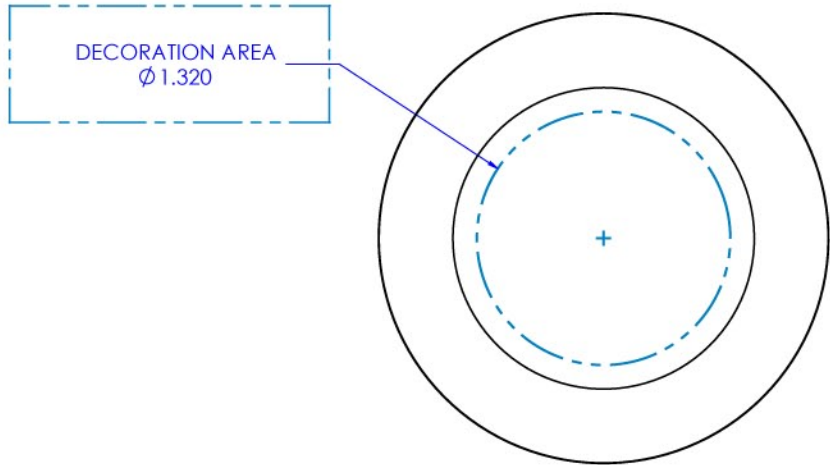


WARNING: PROPRIETARY AND CONFIDENTIAL

THE INFORMATION CONTAINED IN THIS DRAWING IS THE SOLE PROPERTY OF TARAL PLASTICS. ANY UNAUTHORIZED USE, TRANSMISSION, OR REPRODUCTION IN PART OR AS A WHOLE WITHOUT THE WRITTEN PERMISSION OF TARAL PLASTICS IS STRICTLY PROHIBITED.



TOLERANCE		REV.	DATE	DESCRIPTION
DIM.	TOL.			
.00	.015			
.000	.010			

NAME	DATE
W. OTT	01/11/2012
DRAWN	
MATERIAL: PP	
APPROX WEIGHT: 6.8 grams	
THREAD: "M" STYLE, 6 TPI PITCH	
COMMENTS:	

725 Zwissig Way
Union City, CA 94587
Phone: 866-93-TARAL
www.TaralPlastics.com

PART DESCRIPTION:		58mm-400 Dome Closure	
SIZE: A	PART CODE: 58D-PP-UC		
SCALE: 1:1	DO NOT SCALE DRAWING	REV.:	-
		SHEET 1 OF 1	

