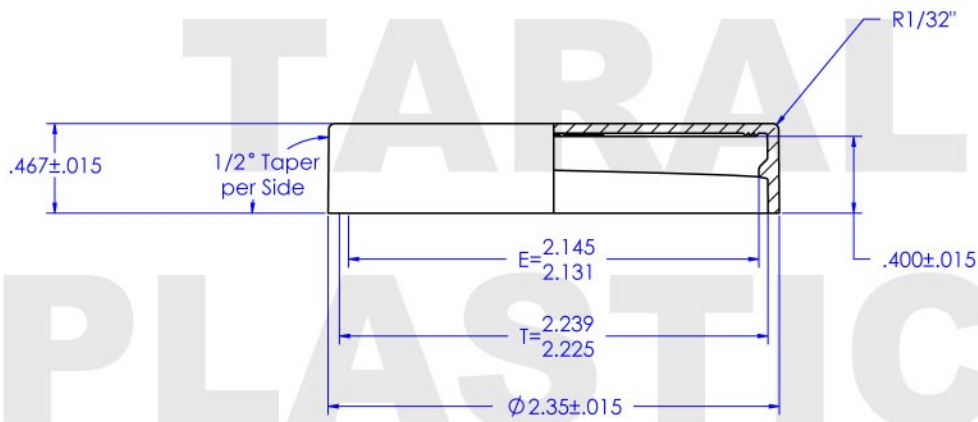
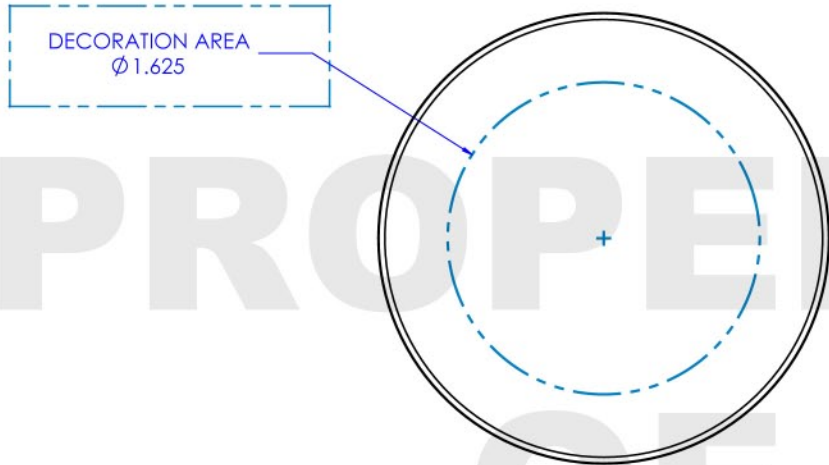


WARNING: PROPRIETARY AND CONFIDENTIAL

THE INFORMATION CONTAINED IN THIS DRAWING IS THE SOLE PROPERTY OF TARAL PLASTICS. ANY UNAUTHORIZED USE, TRANSMISSION, OR REPRODUCTION IN PART OR AS A WHOLE WITHOUT THE WRITTEN PERMISSION OF TARAL PLASTICS IS STRICTLY PROHIBITED.



PROPERTY OF TARAL PLASTICS

TOLERANCE		REV.	DATE	DESCRIPTION
DIM.	TOL.	A	01/25/2012	ADDED WATERMARK
.00	.015			
.000	.010			

NAME	DATE
W. OTT	01/13/2012
DRAWN	
MATERIAL: PP	
APPROX WEIGHT: 6.4 grams	
THREAD: "M" STYLE, 6 TPI PITCH	
COMMENTS:	

725 Zwissig Way
Union City, CA 94587
Phone: 866-93-TARAL
www.TaralPlastics.com

PART DESCRIPTION:
58mm-400 Smooth Side and Top Closure

SIZE: **A** PART CODE: 58SS-PP-UC REV. **A**

SCALE: 1:1 DO NOT SCALE DRAWING SHEET 1 OF 1

