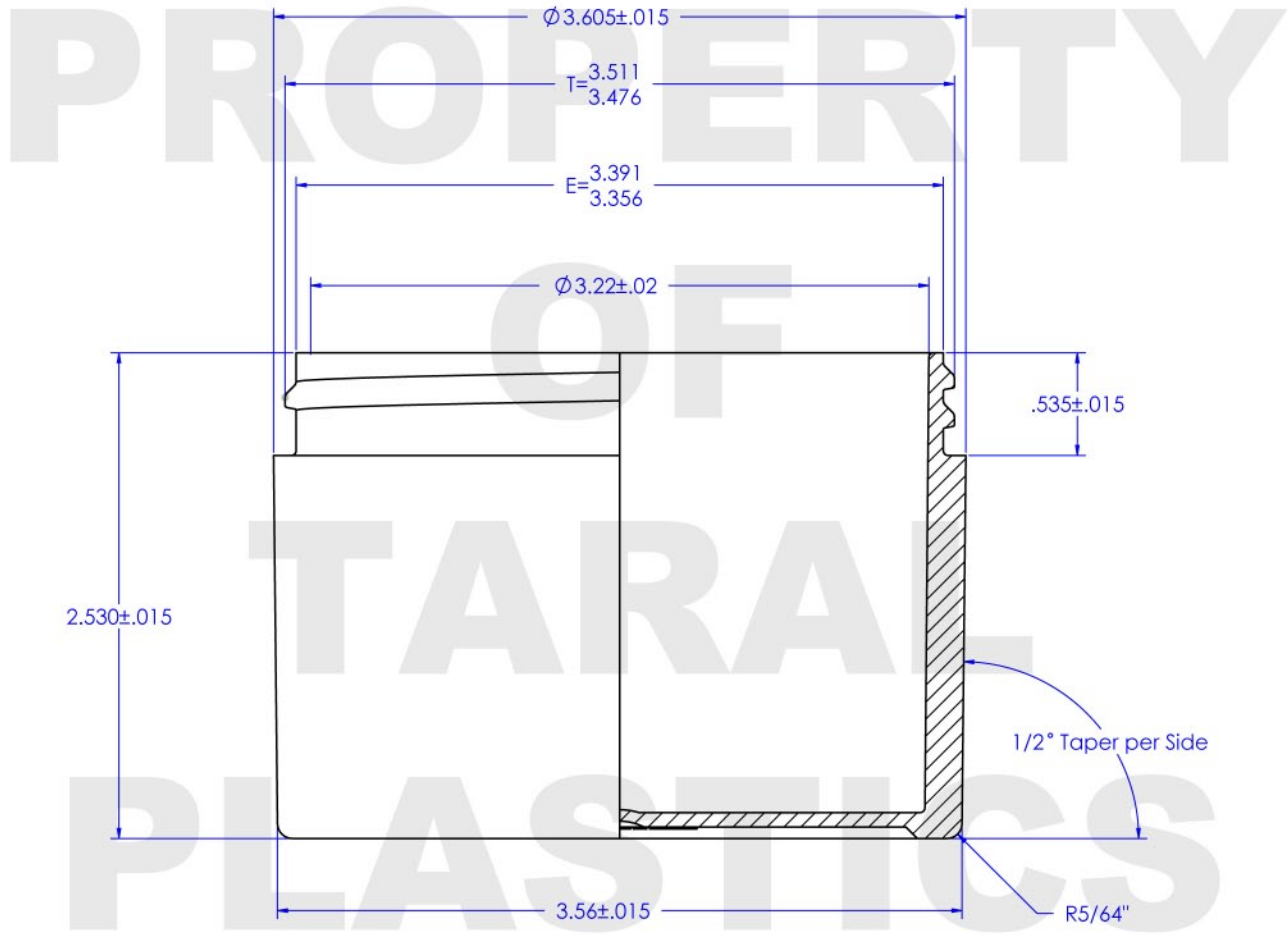


WARNING: PROPRIETARY AND CONFIDENTIAL

THE INFORMATION CONTAINED IN THIS DRAWING IS THE SOLE PROPERTY OF TARAL PLASTICS. ANY UNAUTHORIZED USE, TRANSMISSION, OR REPRODUCTION IN PART OR AS A WHOLE WITHOUT THE WRITTEN PERMISSION OF TARAL PLASTICS IS STRICTLY PROHIBITED.



DECORATION AREA
 WRAP: 11.00 inch
 HEIGHT: 1.70 inch
 DRAFT: $1/2^\circ$ per Side

TOLERANCE		REV.	DATE	DESCRIPTION
DIM.	TOL.	A	01/25/2012	ADDED OVERALL OUTSIDE DIAMETER
.00	.015			
.000	.010			

NAME	DATE
W. OTT	01/12/2012
DRAWN	
MATERIAL: PP	
APPROX WEIGHT: 77.1 grams	
APPROX OVERFLOW: 315 ml	
THREAD: "M" STYLE, 5 TPI PITCH	
COMMENTS:	

725 Zwissig Way
 Union City, CA 94587
 Phone: 866-93-TARAL
 www.TaralPlastics.com

PART DESCRIPTION:		8oz 89mm Thick Wall Jar	
SIZE: A	PART CODE: 8-89-TW-PP	REV. A	
SCALE: 1:1	DO NOT SCALE DRAWING	SHEET 1 OF 1	

