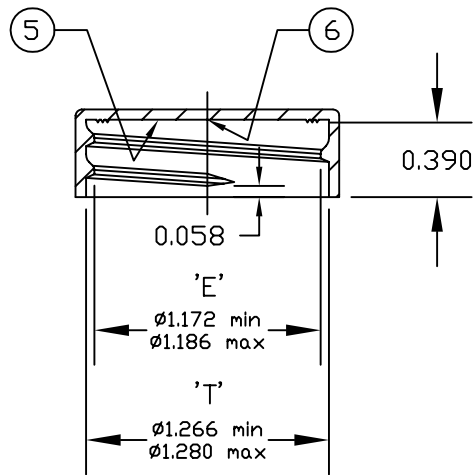
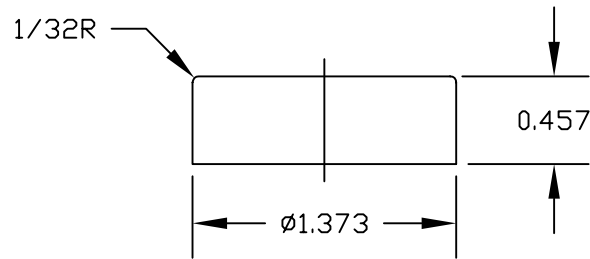


PRINTABLE  
AREA  
Ø1.00



WARNING

This drawing is the property of Delta Plastics, Inc. Any unauthorized use, reproduction, or transmission of this document without the written consent of Delta Plastics, Inc. is strictly prohibited.

1. MATERIAL: POLYPROPYLENE
2. 6 THREADS / INCH
3. ALL FILLETS & RADII TO BE: 0.010" UNLESS OTHERWISE SPECIFIED
4. DRAFT TO BE: 1/2" UNLESS OTHERWISE SPECIFIED
5. CAVITY NUMBER
6. GATE LOCATION: INSIDE, CENTER
7. WEIGHT: APPROX. 2.5 GRAMS
8. DELTA PART #: 7050



Delta Plastics, Inc.

CORPORATE OFFICE  
106 Delta Place  
Hot Springs, AR 71913  
(501) 760-3000  
Fax: (501) 760-3005

TECH CENTER  
15130 Northam Street  
La Mirada, CA 90638  
(714) 670-6400  
Fax: (714) 670-7500

TITLE:

33 mm SMOOTH CLOSURE

TOLERANCE				
DIM.	TOL.			
.00	.015			
.000	.010			
DRAWN: SPM	DATE: 9/18/02	1	Print Area(SPM)	9/18/02
CHECKED:	DATE:	0	Orig Dwg( AHV)	2/7/01
SCALE: 1:1	DWG.# 7050	REV.	DESC. OF CHANGE	DATE