



Phoenix Closures, Inc.

Quality and Innovation Since 1890



0434006201S

Shallow Skirted Closures

Features

- Available in inventory in white, unlined & in a wide variety of liners

Product Benefits

- A great, general-purpose closure
- A proven closure for the Food Oil and Agricultural Chemical markets
- Fine-ribbed sides are easier to grip
- Our most popular closure style
- Popular for cosmetics

Markets

- Agricultural products
- Automotive products
- Beverages
- Dressings and Sauces
- Food
- Food Service
- Household chemicals
- Industrial products
- Medical products
- Nutraceuticals
- Personal care/Cosmetics
- Pharmaceuticals

Options

- Available in white, several standard colors and custom colors
- Liners can be cut with a pull-tab easy-open feature
- This closure can be embossed/debossed with your custom message
- Offset printing is available on this closure in up to three colors

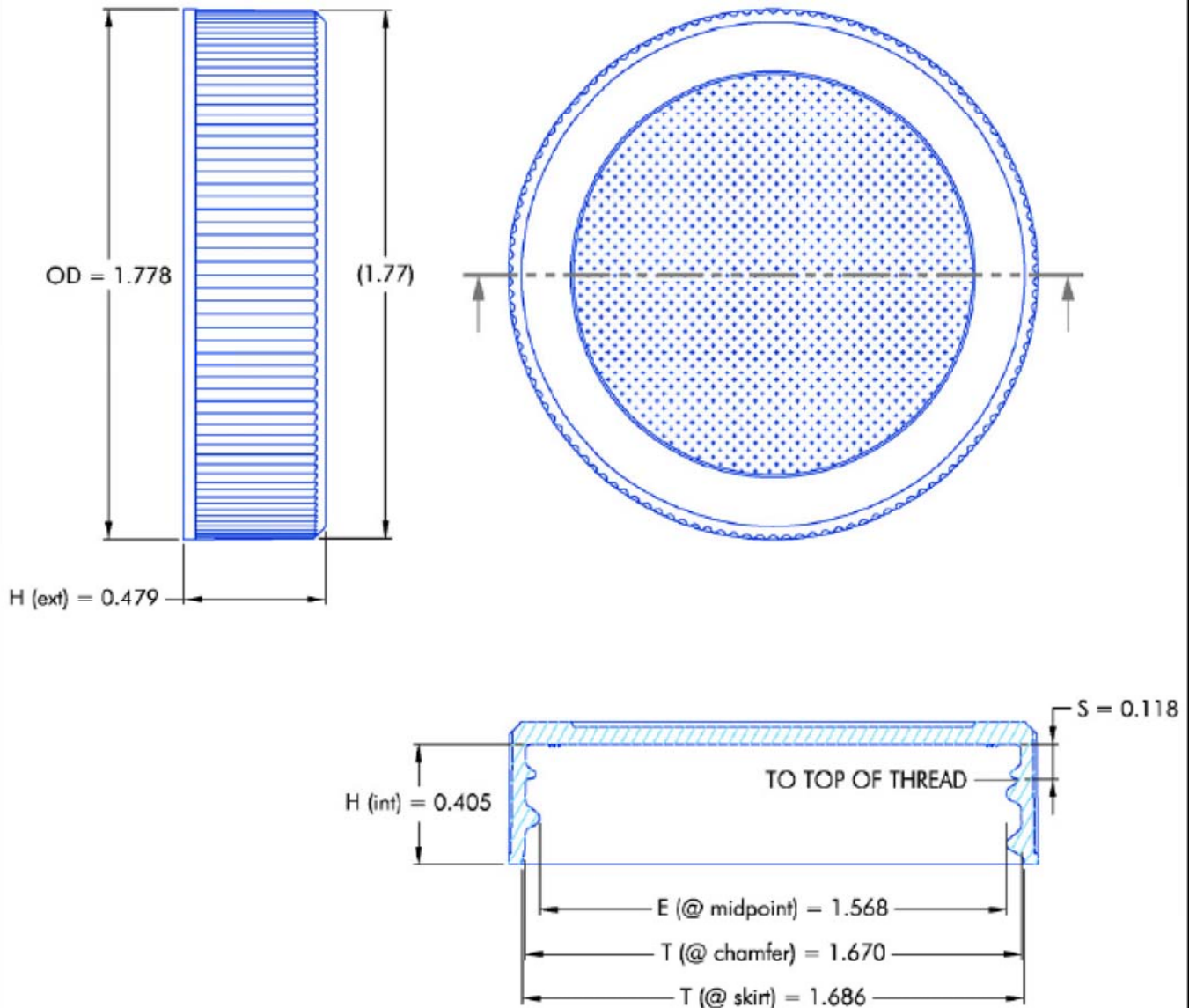
Standard Pack

Type	Pack Qty	Pallet Qty	Tote Qty
Bulk U/L	3,000	45,000	0
Bulk Lined	3,000	45,000	0



Phoenix Closures, Inc.

Quality and Innovation Since 1890



- NOTES: (UNLESS OTHERWISE SPECIFIED)
 1. ALL DIMENSIONS ARE IN INCHES.
 2. TOLERANCE ON ALL DIMENSIONS IS ± 0.010 INCHES.

#	DATE	DESCRIPTION	BY
00.00.00			--

THIS OR FACSIMILE THEREOF IS THE EXCLUSIVE PROPERTY OF PHOENIX CLOSURES, INC. AND MAY NOT BE REPRODUCED WITHOUT THE EXPRESSED WRITTEN CONSENT OF PHOENIX CLOSURES, INC.

PITCH (TPI): 6	# OF TURNS: 1-1/8	MATERIAL: -
DRAWING #: 43-400-6201 (S)		
DESCRIPTION: FINE RIB / CHAMFERED TOP / COARSE STIPPLE		
FILE: 43-400-6201.dwg	SCALE: 2 : 1	
DRAWN BY: DMN	DATE: 01.02.03	APPRVD BY: ---
REV: 0	WP	